



# ***Interactive comment on “Development of a new distributed hybrid seismic-electrical data acquisition station based on system–on-a-programmable-chip technology” by Qisheng Zhang et al.***

**Qisheng Zhang et al.**

li.wh@cugb.edu.cn

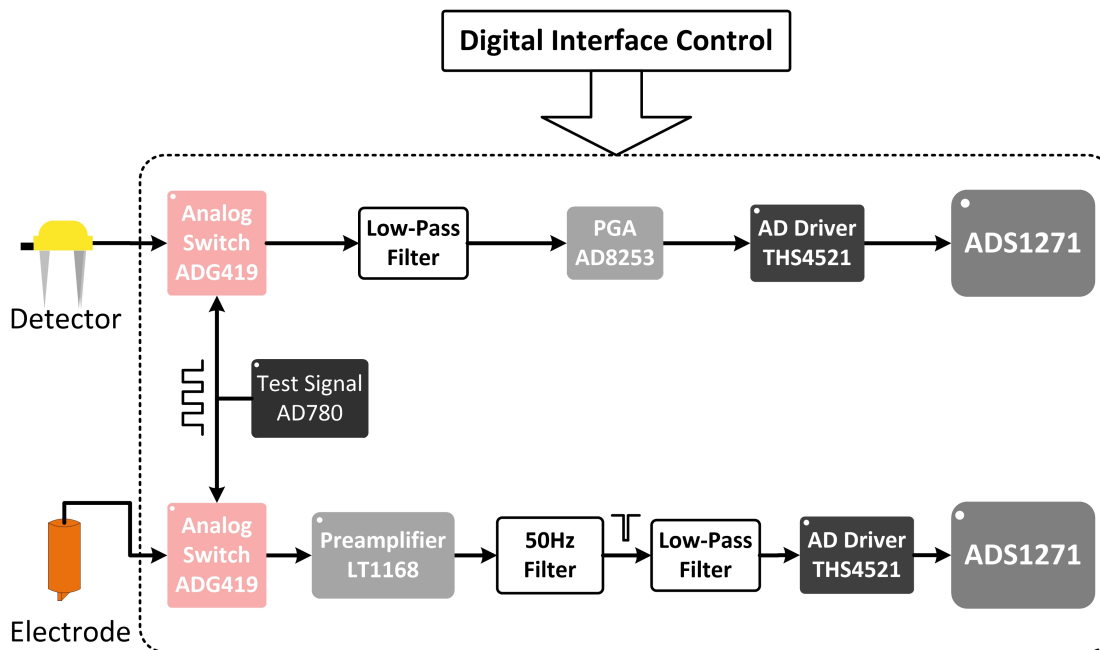
Received and published: 25 June 2019

Thank you very much for your affirmation of my work and suggestions for the manuscript. I have modified the Figure 3 to make it more clear. In order to avoid spelling mistakes, I checked the article again and adjusted the reference format to make it more standardized. Thanks again for your suggestions.

---

Interactive comment on Geosci. Instrum. Method. Data Syst. Discuss.,  
https://doi.org/10.5194/gi-2019-12, 2019.





**Fig. 1.** Block diagram of the analog board of the data-acquisition station

[Printer-friendly version](#)

[Discussion paper](#)

